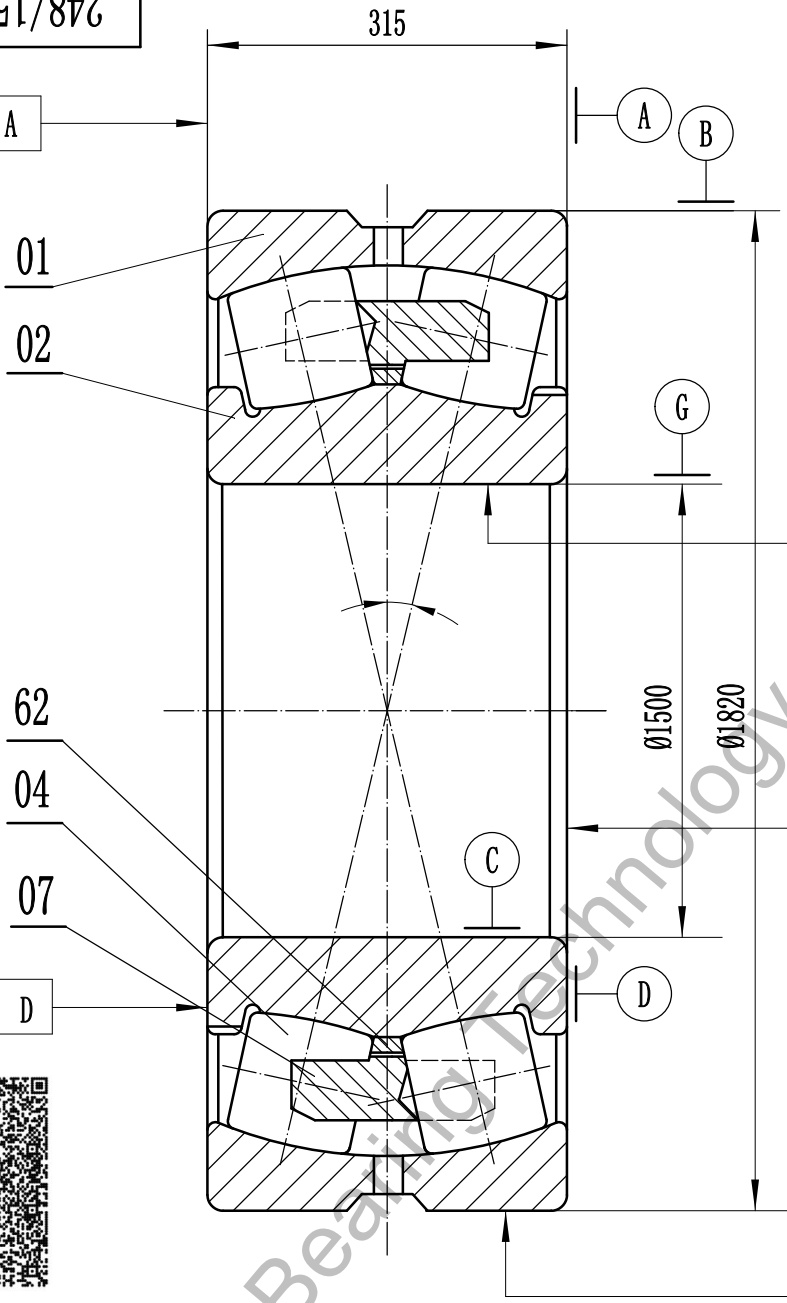




$V_{Cs}$	A
----------	---



$V_{dsp}$	
$V_{dmp}$	
$K_{ia}$	B

$S_d$	G
-------	---

$V_{Bs}$	D
----------	---



$V_{Dsp}$	
$V_{Dmp}$	
$K_{ea}$	C
$S_D$	A

- 1、Tolerance of running accuracy are according to relevant state standard;
- 2、The value of the basic group of radial clearance:min \*\*\*\* max \*\*\*\*;
- 3、Rated load:  $C_r=****$  kN  $C_{or}=****$  kN.

62	Guide ring		Steel 20—GB/T699			
07	Cage		Steel St 52-EN 10025:1990 + A:1993			
04	Roller		Steel 100CrMnSi6-4—ISO 683-17:1999			
02	Inner ring		Steel 100CrMnSi6-4—ISO 683-17:1999			
01	Outer ring		Steel 100CrMnSi6-4—ISO 683-17:1999			

No.	Designation	Qty	Material	unit	toatl	Remark
				Weight (kg)		

Luoyang JCB Bearing Technology Co., Ltd  
 Contact information  
 Company Address : No. 285, Fenghua road,  
 Luoyang, Henan, China.  
 Postal code : 471000  
 Phone :86-379-68611678  
 Fax : 86-379-68611679  
 E-mail: sales@jcb-bearing.com  
 Reserved E-mail: sales@sphericalrollerbearing.net  
 Website: www.jcb-bearing.com  
 www.sphericalrollerbearing.net

**Spherical Roller Bearing**

248/1500 CAFA/W20		
	Weight(kg)	Scale
S		—
Total page 5		Page No. 1
Luoyang JCB Bearing Technology Co., Ltd		